

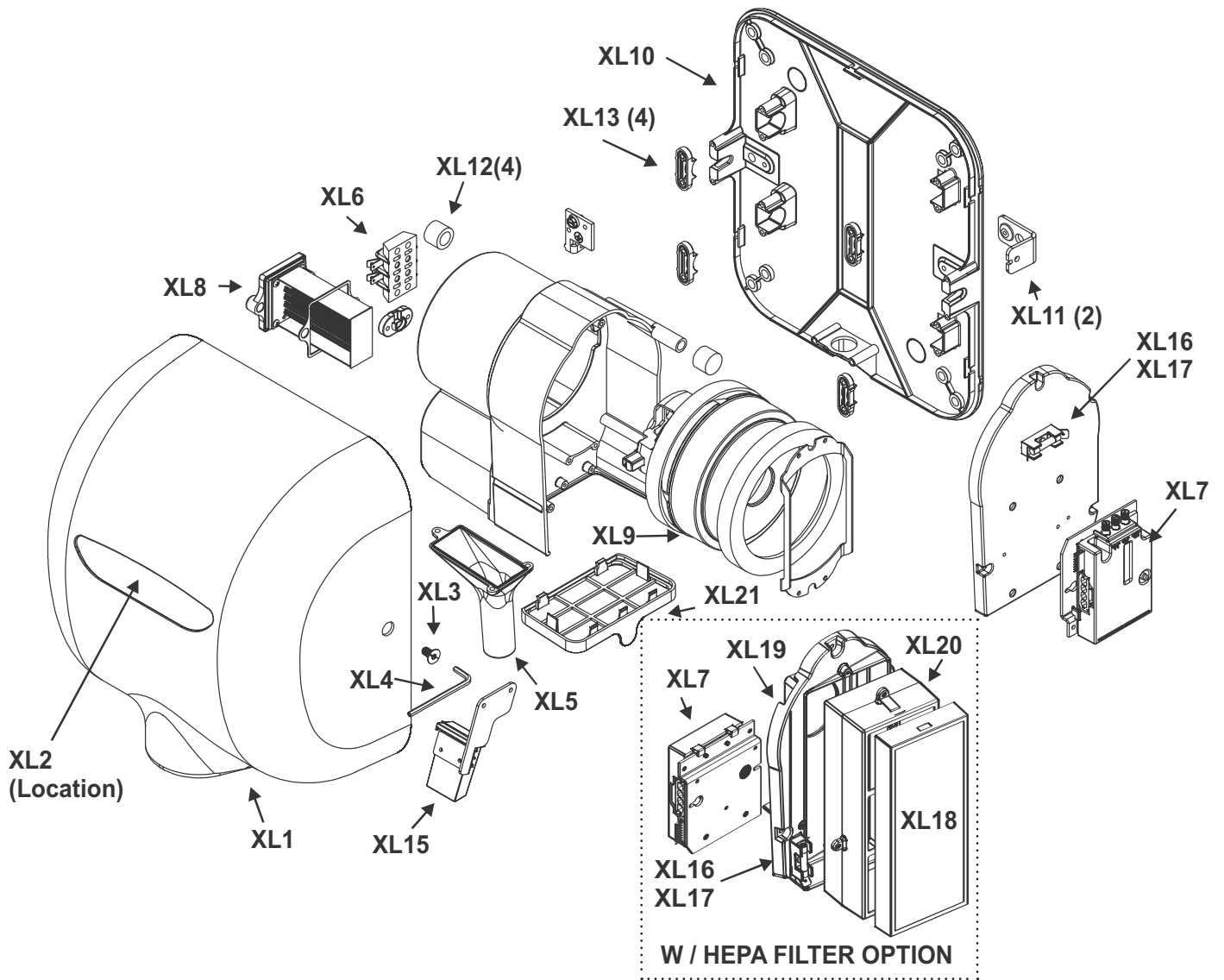
XLERATOR®/XLERATOReco® PARTS LIST



PARTS LIST		
DWG #	Stock #	DESCRIPTION
XL 1	1064	Cover - White (includes Nameplate)
	1065	Cover - Chrome (includes Nameplate)
	1066	Cover - Graphite (includes Nameplate)
	1067	Cover - BMC (includes Nameplate)
	1068	Cover - Stainless (includes Nameplate)
	1069	Cover - Special Image (includes Nameplate)
	1070	Cover - Special Image on Stainless (includes Nameplate)
XL 2	60	Nameplate XLERATOR
	61.05	Nameplate XLERATOReco
XL 3	626	Tamper-Proof Bolt
XL 4	630	Tamper-Proof Wrench
XL 5	62	Air Outlet Assembly – Nozzle .8 diameter (includes #34 gasket)
	62.2	Air Outlet Assembly – Nozzle 1.1 diameter (includes #34 gasket)
XL 6	40041	Terminal Block with Screws and Tabs (CE)
XL 7	40102	Control Assembly 110-120V (includes #30089 sensor & mounting bracket)
	40103	Control Assembly 110-120V w/ Speed-Heat Control (includes #30089 sensor & mounting bracket)
	40105	Control Assembly 110-120V w/ Speed-Heat Control for HEPA (includes #30088 sensor & mounting bracket)
XL 8	40000	Heating Element Assembly 110-120V (includes gasket and screws)*
	40001	Heating Element Assembly 220-240V (includes gasket and screws)*
	40002	Heating Element Assembly 208V (includes gasket and screws)*
	40003	Heating Element Assembly 277V (includes gasket and screws)*
	40010	Heating Element Assembly 110-120V for use with 40103 or 40105 control (includes gasket and screws)*
	40011	Heating Element Assembly 208-277V for use with 40103 or 40105 control (includes gasket and screws)*
XL 9	56	Motor for 110-120V
	58	Motor for 208-277V
XL 10	40400	Wall Plate Assembly
XL 11	12	Cover Mounting Brackets – Uses 2/dryer but priced individually
XL 12	36	Housing Grommet (rubber) – Uses 4/dryer but priced individually
XL 13	14	Housing Retainer – Uses 4/dryer but priced individually (includes 2 #65 screws per retainer)
XL 15	30088	Optic Sensor only for Control Assembly #40103 or #40105 or #40106
	30089XL	Optic Sensor only for Control Assembly #40102
	40050	Housing Assembly
	26	Air Inlet Cover (includes screws)
	295	Motor Brush (110V)
	296	Motor Brush (220V)
XL 16		Fuseholder (if so equipped)
XL 17		Fuse (if so equipped)
XL 18		HEPA Pre-Filter**
XL 19		HEPA Filter Adapter**
XL 20		HEPA Filter**
XL 21	40531	Pre-Filter with screen (For use with #40103 or #40105 control only)
	40112	Motor Speed Control 110-V (For Control Assembly #40102 only)

PARTS LIST

DWG #	Stock #	DESCRIPTION	
	40113	Motor speed Control 208-240V (For Control Assembly #40102 only – N/A for 277V)	
	40200	Blower/Motor Complete 110-120V	40200L for 1.1 Nozzle
	40201	Blower/Motor Complete 208V	40201L for 1.1 Nozzle
	40202	Blower/Motor Complete 220-240V	40202L for 1.1 Nozzle
	40203	Blower/Motor Complete 277V	40203L for 1.1 Nozzle
		Blower/Motor Complete 110-120V HEPA	
		Blower/Motor Complete 208V HEPA	
		Blower/Motor Complete 220-240V HEPA	
		Blower/Motor Complete 277V HEPA	
		Blower/Motor Complete 110-120V ECO	
		Blower/Motor Complete 208V ECO	
		Blower/Motor Complete 220-240V ECO	
		Blower/Motor Complete 110-120V HEPA-ECO	
		Blower/Motor Complete 208V HEPA-ECO	
		Blower/Motor Complete 220-240V HEPA-ECO	
	40210	Blower/Motor Complete 110-120V w/ Speed-Heat Control	40210L for 1.1 Nozzle
	40212	Blower/Motor Complete 208-277V w/ Speed-Heat Control	40212L for 1.1 Nozzle
		Blower/Motor Complete 110-120V HEPA w/ Speed-Heat Control	
		Blower/Motor Complete 208-277V HEPA w/ Speed-Heat Control	
		Blower/Motor Complete 110-120V ECO w/ Speed Control	
		Blower/Motor Complete 208-277V ECO w/ Speed Control	
		Blower/Motor Complete 110-120V HEPA-ECO w/ Speed Control	
		Blower/Motor Complete 208-277V HEPA-ECO w/ Speed Control	
	1400	XL 110-120V Sub Assembly on Wall Plate	1400L for 1.1 Nozzle
	1400E	XL 110-120V ECO Sub Assembly on Wall Plate	1400LE for 1.1 Nozzle
	1400H	XL 110-120V HEPA Sub Assembly on Wall Plate	1400LH for 1.1 Nozzle
	1400HE	XL 110-120V HEPA-ECO Sub Assembly on Wall Plate	1400LHE for 1.1 Nozzle
	1401	XL 220-240V Sub Assembly on Wall Plate	1401L for 1.1 Nozzle
	1401E	XL 220-240V ECO Sub Assembly on Wall Plate	1401LE for 1.1 Nozzle
	1401H	XL 220-240V HEPA Sub Assembly on Wall Plate	1401LH for 1.1 Nozzle
	1401HE	XL 220-240V HEPA-ECO Sub Assembly on Wall Plate	1401LHE for 1.1 Nozzle
	1402	XL 208V Sub Assembly on Wall Plate	1402L for 1.1 Nozzle
	1402E	XL 208V ECO Sub Assembly on Wall Plate	1402LE for 1.1 Nozzle
	1402H	XL 208V HEPA Sub Assembly on Wall Plate	1402LH for 1.1 Nozzle
	1402HE	XL 208V HEPA-ECO Sub Assembly on Wall Plate	1402LHE for 1.1 Nozzle
	1403	XL 277V Sub Assembly on Wall Plate	1403L for 1.1 Nozzle
	1403H	XL 277V HEPA Sub Assembly on Wall Plate	1403LH for 1.1 Nozzle
	1410	XL 110-120V Sub Assembly on Wall Plate w/ Speed-Heat Control	1410L for 1.1 Nozzle
	1410E	XL 110-120V ECO Sub Assembly on Wall Plate w/ Speed Control	1410LE for 1.1 Nozzle
	1410H	XL 110-120V HEPA Sub Assembly on Wall Plate w/ Speed-Heat Control	1410LH for 1.1 Nozzle
	1410HE	XL 110-120V HEPA-ECO Sub Assembly on Wall Plate w/ Speed Control	1410LHE for 1.1 Nozzle
	1411	XL 208-277V Sub Assembly on Wall Plate w/ Speed-Heat Control	1411L for 1.1 Nozzle
	1411E	XL 208-277V ECO Sub Assembly on Wall Plate w/ Speed Control	1411LE for 1.1 Nozzle
	1411H	XL 208-277V HEPA Sub Assembly on Wall Plate w/ Speed-Heat Control	1411LH for 1.1 Nozzle
	1411HE	XL 208-277V HEPA-ECO Sub Assembly on Wall Plate w/ Speed Control	1411LHE for 1.1 Nozzle



*Does not apply to XLERATOReco models

**Only applies to HEPA models



TIME TO THROW IN THE TOWEL®

EXCEL DRYER INC • 1.800.255.9235 • EXCELDRYER.COM

MAY
2018

18XLT0334