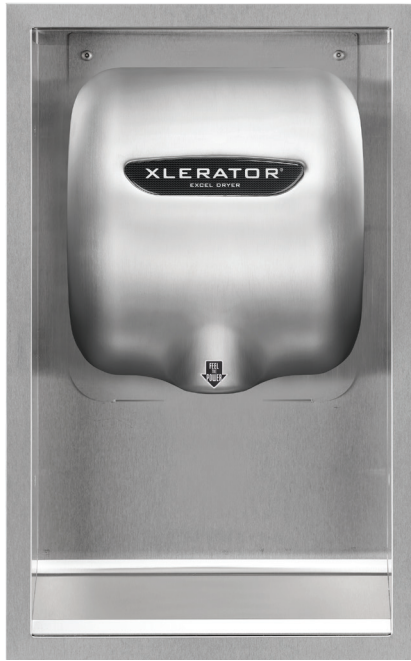


# XLERATOR® HAND DRYER RECESS KIT

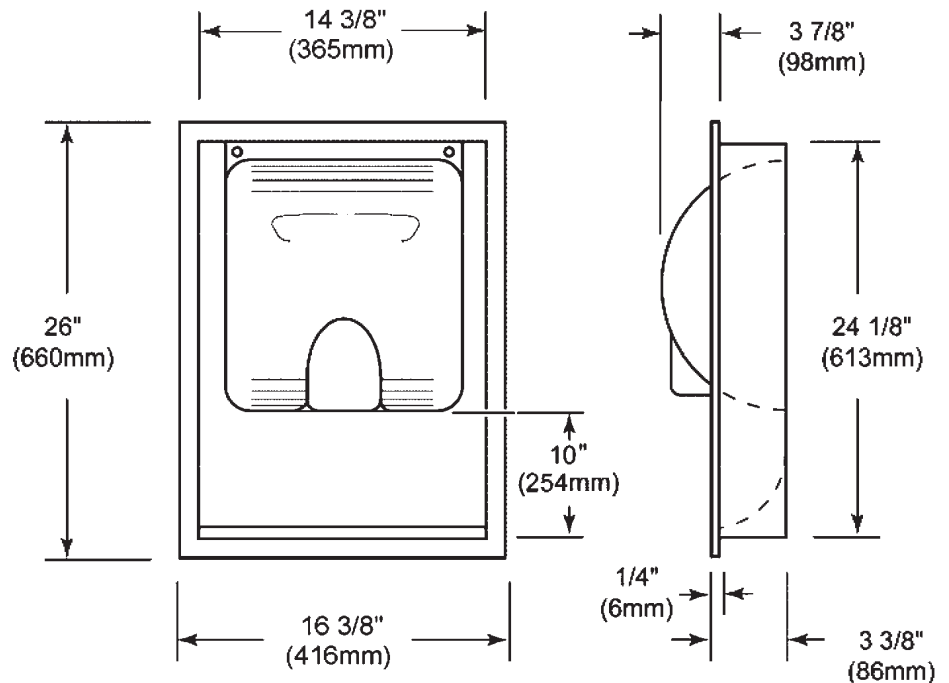


\*\*\* MEETS ADA PROTRUSION REQUIREMENT OF 4 INCHES (102 MM) \*\*\*



**40502**

Recess Kit,  
Brushed Stainless Steel



## WEIGHT

11 lbs. (4.99 KG)

## OVERALL DIMENSIONS

16 3/8" wide x 26" high x 3 3/8" deep  
(416 mm wide x 660 mm high x 86 mm deep)

## ROUGH WALL OPENING

14 1/2" wide x 24 3/8" high x 4" deep  
(368 mm wide x 619 mm high x 102 mm deep)

## CONSTRUCTION

Wall box is fabricated of 22 GA 18-8 type 304 stainless steel with #4 satin finish with 16 GA 18-8 type 304 stainless steel dryer mounting plate. All welded construction.

## INSTALLATION GUIDE (CONSULT LOCAL ADA CODES)

When installed, bottom of hand dryer will be 10" (254 mm) above bottom of rough wall opening. Therefore, bottom of rough wall opening should be 10" (254 mm) below suggested mounting height for hand dryer. (See suggested mounting heights above). 18-8 type 304 stainless steel dryer mounting plate. All welded construction.



Part ID	Description	List Price
40502	<b>Recess Kit, Brushed Stainless Steel</b> (for ADA 4" protrusion requirements)	<b>\$180</b>
40502SP	<b>Recess Kit, Custom Color Painted</b> (for ADA 4" protrusion requirements)	<b>\$250</b>

## SUGGESTED MOUNTING HEIGHTS (FROM FLOOR TO BOTTOM OF DRYER)

<b>Men's</b>	45" (114cm)
<b>Ladies'</b>	43" (109cm)
<b>Teenagers'</b>	41" (104cm)
<b>Children</b>	35" (89cm)
<b>Accessible</b>	37" (94cm)



# TIME TO THROW IN THE TOWEL®

EXCEL DRYER INC • 1.800.255.9235 • EXCELDRYER.COM

OCT  
2019

19RKS0508