

ThinAir® HAND DRYER

PARTS PRICE LIST Effective September 2023



110-120V, 208-277V

REF#	STOCK #	DESCRIPTION - REFER TO DIAGRAM ON REVERSE SIDE	PRICE/EA.
	1500HW	Electrostatic HEPA Subassembly 110-120V	\$515.00
	1501HW	Electrostatic HEPA Subassembly 208-277V	\$515.00
	1500W	Subassembly 110-120V	\$380.00
	1501W	Subassembly 208-277V	\$380.00
TA1	1080	Cover – ABS (includes nameplate & cover hardware)	\$60.00
	1081	Cover – Graphite Textured Paint on stainless steel (includes nameplate & cover hardware)	\$190.00
	1082	Cover – Epoxy White Paint on stainless steel (includes nameplate & cover hardware)	\$170.00
	1083	Cover – Special Paint Stock on stainless steel includes Bone, Raven, Red Baron	\$190.00
	1085	Cover – SB Stainless (includes nameplate & cover hardware)	\$290.00
	1086	Cover – Special Image on Stainless (includes nameplate & cover hardware)	\$405.00
TA2	920	Tamper Proof Bolt	\$2.00
TA3	630	Tamper Proof Wrench	\$4.00
TA4	234.8	Knockout Gasket	\$2.50
TA5	116	Bracket Cover Hook (ABS Cover)	\$2.00
TA6	518	Nozzle	\$16.00
TA7	118	Optic Bracket	\$4.00
TA8	30088	Optic Assembly (includes Optic Bracket 118)	\$26.00
TA9	253	Finger Guard	\$6.00
TA10	40004	Heating Element Assembly 110-120V	\$47.00
	40005	Heating Element Assembly 208-240V	\$47.00
TA11	301	Muffler Housing (Output)	\$13.00
TA12	252	Muffler Housing Foam (Output)	\$3.00
TA13	234.92	Motor Gasket Ring	\$9.00
TA14	192	Blower Housing Front	\$15.00
TA15	117	Bracket Cover	\$11.00
TA16	40106	Control Assembly (includes optic & bracket)	\$172.00
TA17	57	Motor 120V (includes Motor Gasket/ring)	\$115.00
	59	Motor 208-277V (includes Motor Gasket/ring)	\$115.00
TA18	234.9	Motor Gasket	\$6.00
TA19	40530	Pre-filter with Screen	\$11.00
TA20	250	Muffler Foam (input)	\$4.00
TA21	300	Muffler Housing (input)	\$11.00
TA22	193	Blower Housing Back	\$16.00
TA23	563	Base Plate	\$37.00
TA24	491	Nameplate	\$2.50
TA25	36.5	PVC Tubing	\$1.00
TA26	40042	Terminal Block	\$7.00
TA27	119	Bracket Ground	\$4.00
TA28	16.2	XY Cap	\$11.00

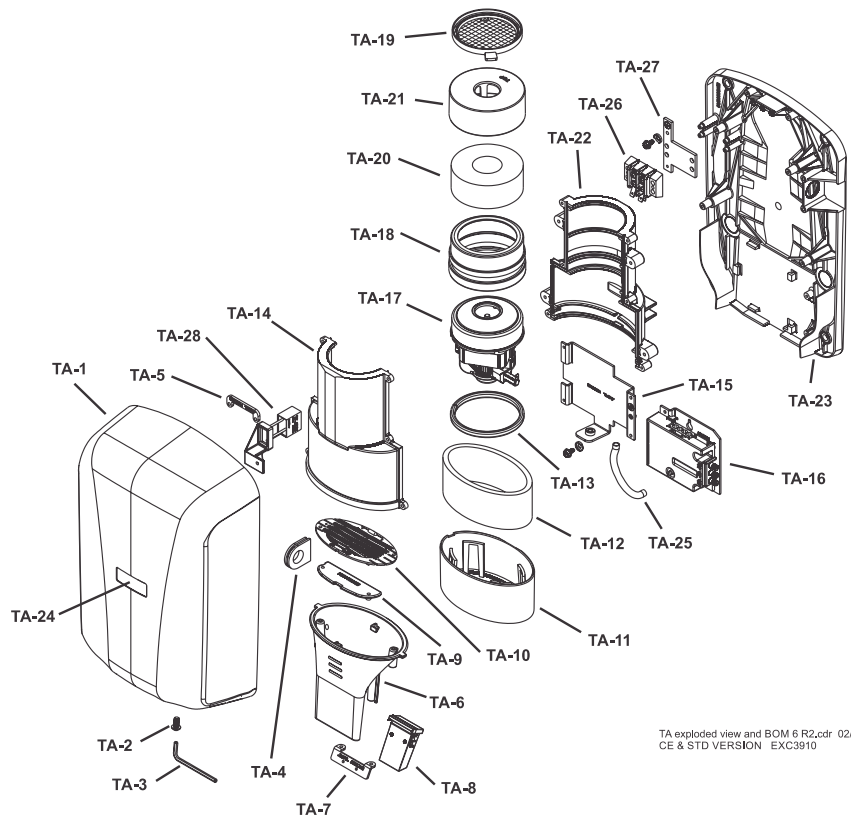
ThinAir® HAND DRYER

PARTS DIAGRAM



110-120V, 208-277V

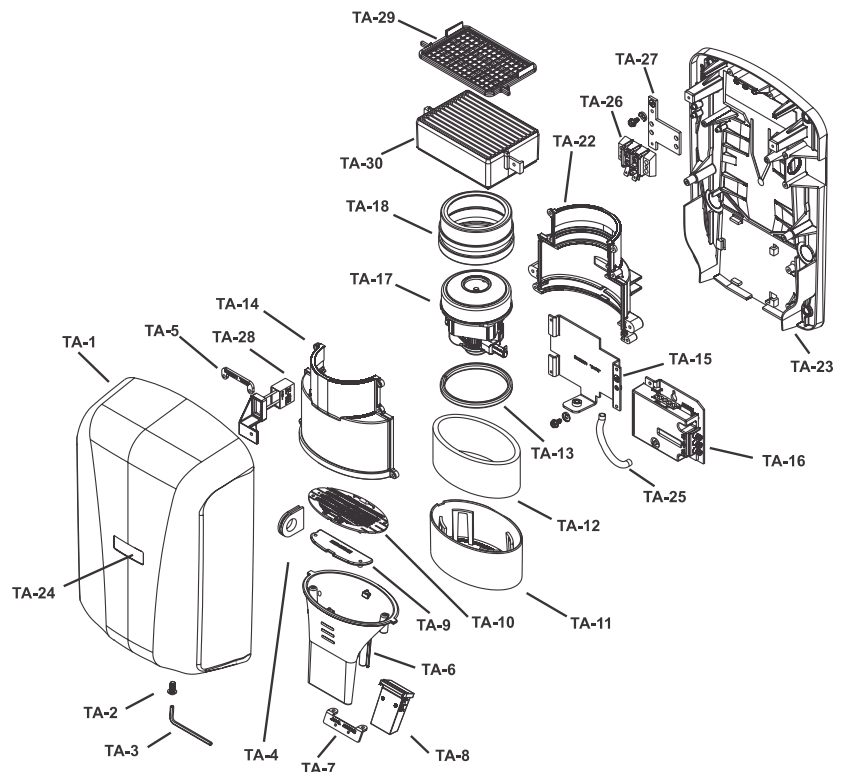
Ref. No.	Description
TA-1	Cover (includes nameplate)
TA-2	Tamper-Proof Bolt
TA-3	Tamper-Proof Wrench
TA-4	Knockout Gasket
TA-5	Bracket Cover Hook
TA-6	Nozzle
TA-7	Optic Bracket
TA-8	Optic Assembly
TA-9	Finger Guard
TA-10	Heating Element Assembly
TA-11	Muffler Housing (output)
TA-12	Muffler Foam (output)
TA-13	Motor Gasket Ring
TA-14	Clamshell Upper
TA-15	Bracket Cover
TA-16	Control Assembly
TA-17	Motor
TA-18	Motor Gasket
TA-19	Pre-Filter W/Screen
TA-20	Muffler Foam (input)
TA-21	Muffler Housing (input)
TA-22	Clamshell (lower)
TA-23	Base Plate
TA-24	Nameplate
TA-25	Tube (pressure)
TA-26	Terminal Block
TA-27	Bracket Ground (CE)
TA-28	XY Cap (CE)



TA exploded view and BOM 6 R2.cdr 02/22/21 AJ
CE & STD VERSION EXC3910

PARTS LIST: HEPA

Ref. No.	Description
TA-1	Cover (includes nameplate)
TA-2	Tamper-Proof Bolt
TA-3	Tamper-Proof Wrench
TA-4	Knockout Gasket
TA-5	Bracket Cover Hook
TA-6	Nozzle
TA-7	Optic Bracket
TA-8	Optic Assembly
TA-9	Finger Guard
TA-10	Heating Element Assembly
TA-11	Muffler Housing (output)
TA-12	Muffler Foam (output)
TA-13	Motor Gasket Ring
TA-14	Clamshell Upper
TA-15	Bracket Cover
TA-16	Control Assembly
TA-17	Motor
TA-18	Motor Gasket
TA-22	Clamshell (lower)
TA-23	Base Plate
TA-24	Nameplate
TA-25	Tube (pressure)
TA-26	Terminal Block
TA-27	Bracket Ground (CE)
TA-28	XY Cap (CE)
TA-29	Electrostatic HEPA Pre-Filter W/Screen
TA-30	Electrostatic HEPA Filter



TA exploded view and BOM 6 R2.cdr 02/22/21 AJ
CE & STD HEPA VERSION EXC3908