

ThinAir® HAND DRYER

PARTS PRICE LIST Effective September 2023



230V

| REF# | STOCK # | DESCRIPTION - REFER TO DIAGRAM ON REVERSE SIDE | PRICE/EA. |
|-------------|---------------|--|-----------------|
| | 1504HW | Electrostatic HEPA Subassembly 230V | \$515.00 |
| | 1504W | Subassembly 230V | \$380.00 |
| TA1 | 1080 | Cover – ABS (includes nameplate & cover hardware) | \$60.00 |
| | 1081 | Cover – Graphite Textured Paint on stainless steel (includes nameplate & cover hardware) | \$190.00 |
| | 1082 | Cover – Epoxy White Paint on stainless steel (includes nameplate & cover hardware) | \$170.00 |
| | 1083 | Cover – Special Paint Stock on stainless steel includes Bone, Raven, Red Baron | \$190.00 |
| | 1085 | Cover – SB Stainless (includes nameplate & cover hardware) | \$290.00 |
| | 1086 | Cover – Special Image on Stainless (includes nameplate & cover hardware) | \$405.00 |
| TA2 | 920 | Tamper Proof Bolt | \$2.00 |
| TA3 | 630 | Tamper Proof Wrench | \$4.00 |
| TA4 | 234.8 | Knockout Gasket | \$2.50 |
| TA5 | 116 | Bracket Cover Hook (ABS Cover) | \$2.00 |
| TA6 | 518 | Nozzle | \$16.00 |
| TA7 | 118 | Optic Bracket | \$4.00 |
| TA8 | 30088 | Optic Assembly (includes Optic Bracket 118) | \$26.00 |
| TA9 | 253 | Finger Guard | \$6.00 |
| | 40005 | Heating Element Assembly 208-240V | \$47.00 |
| TA11 | 301 | Muffler Housing (Output) | \$13.00 |
| TA12 | 252 | Muffler Housing Foam (Output) | \$3.00 |
| TA13 | 234.92 | Motor Gasket Ring | \$9.00 |
| TA14 | 192 | Blower Housing Front | \$15.00 |
| TA15 | 117 | Bracket Cover | \$11.00 |
| TA16 | 40106 | Control Assembly (includes optic & bracket) | \$172.00 |
| TA17 | 59 | Motor 230V (includes Motor Gasket/ring) | \$115.00 |
| TA18 | 234.9 | Motor Gasket | \$6.00 |
| TA19 | 40530 | Pre-filter with Screen | \$11.00 |
| TA20 | 250 | Muffler Foam (input) | \$4.00 |
| TA21 | 300 | Muffler Housing (input) | \$11.00 |
| TA22 | 193 | Blower Housing Back | \$16.00 |
| TA23 | 563 | Base Plate | \$37.00 |
| TA24 | 491 | Nameplate | \$2.50 |
| TA25 | 36.5 | PVC Tubing | \$1.00 |
| TA26 | 40042 | Terminal Block | \$7.00 |
| TA27 | 119 | Bracket Ground | \$4.00 |
| TA28 | 16.2 | XY Cap | \$11.00 |

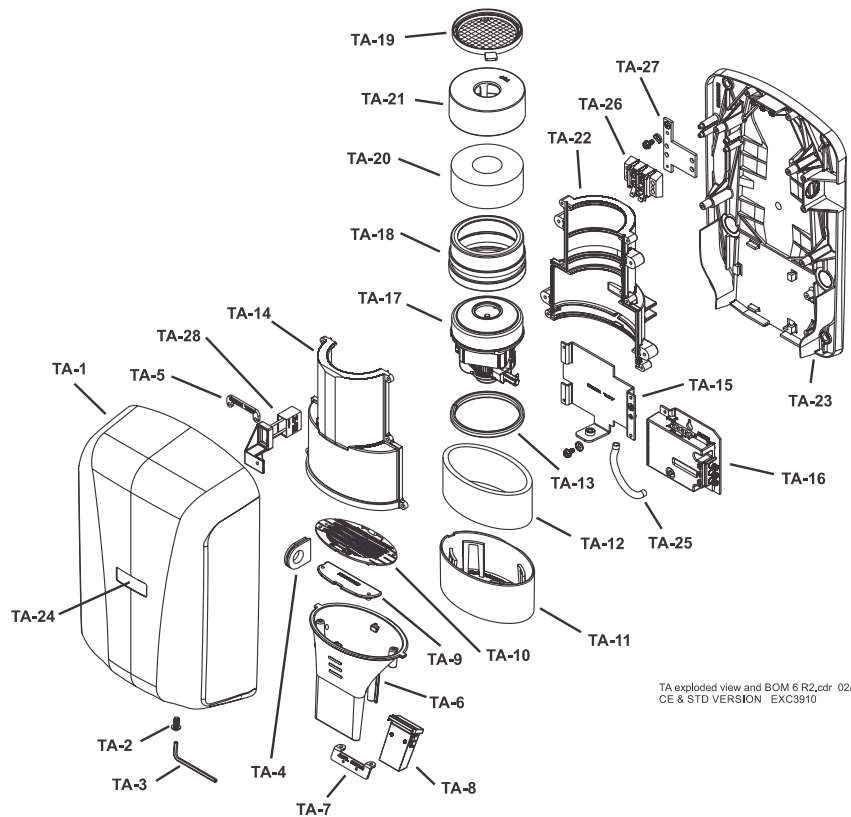
ThinAir® HAND DRYER

PARTS DIAGRAM



230V

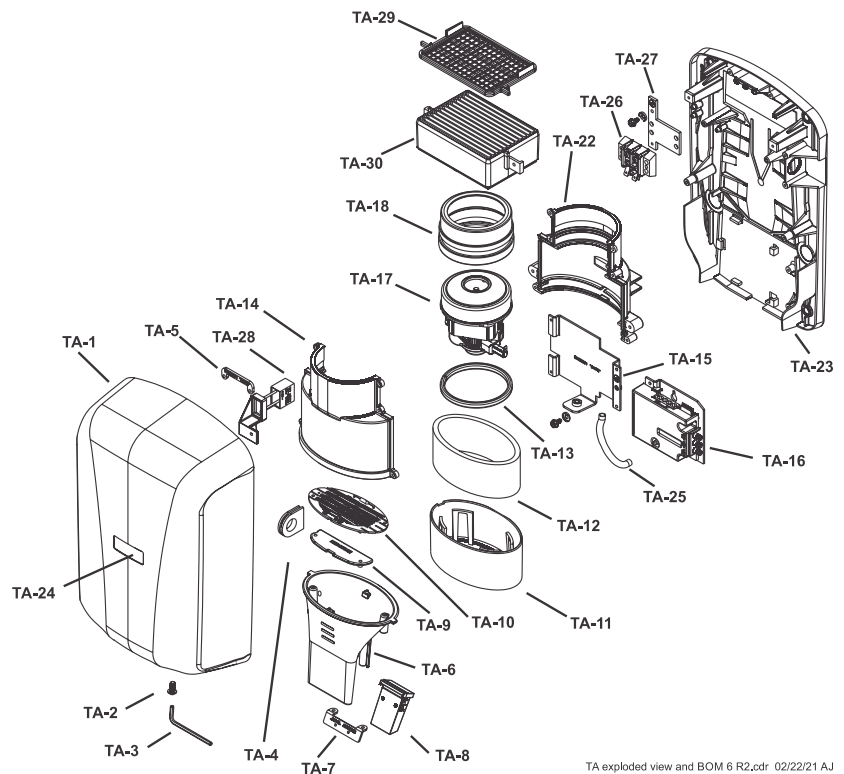
| Ref. No. | Description |
|----------|----------------------------|
| TA-1 | Cover (includes nameplate) |
| TA-2 | Tamper-Proof Bolt |
| TA-3 | Tamper-Proof Wrench |
| TA-4 | Knockout Gasket |
| TA-5 | Bracket Cover Hook |
| TA-6 | Nozzle |
| TA-7 | Optic Bracket |
| TA-8 | Optic Assembly |
| TA-9 | Finger Guard |
| TA-10 | Heating Element Assembly |
| TA-11 | Muffler Housing (output) |
| TA-12 | Muffler Foam (output) |
| TA-13 | Motor Gasket Ring |
| TA-14 | Clamshell Upper |
| TA-15 | Bracket Cover |
| TA-16 | Control Assembly |
| TA-17 | Motor |
| TA-18 | Motor Gasket |
| TA-19 | Pre-Filter W/Screen |
| TA-20 | Muffler Foam (input) |
| TA-21 | Muffler Housing (input) |
| TA-22 | Clamshell (lower) |
| TA-23 | Base Plate |
| TA-24 | Nameplate |
| TA-25 | Tube (pressure) |
| TA-26 | Terminal Block |
| TA-27 | Bracket Ground (CE) |
| TA-28 | XY Cap (CE) |



TA exploded view and BOM 6 R2.cdr 02/22/21 AJ
CE & STD VERSION EXC3910

PARTS LIST: HEPA

| Ref. No. | Description |
|----------|--|
| TA-1 | Cover (includes nameplate) |
| TA-2 | Tamper-Proof Bolt |
| TA-3 | Tamper-Proof Wrench |
| TA-4 | Knockout Gasket |
| TA-5 | Bracket Cover Hook |
| TA-6 | Nozzle |
| TA-7 | Optic Bracket |
| TA-8 | Optic Assembly |
| TA-9 | Finger Guard |
| TA-10 | Heating Element Assembly |
| TA-11 | Muffler Housing (output) |
| TA-12 | Muffler Foam (output) |
| TA-13 | Motor Gasket Ring |
| TA-14 | Clamshell Upper |
| TA-15 | Bracket Cover |
| TA-16 | Control Assembly |
| TA-17 | Motor |
| TA-18 | Motor Gasket |
| TA-22 | Clamshell (lower) |
| TA-23 | Base Plate |
| TA-24 | Nameplate |
| TA-25 | Tube (pressure) |
| TA-26 | Terminal Block |
| TA-27 | Bracket Ground (CE) |
| TA-28 | XY Cap (CE) |
| TA-29 | Electrostatic HEPA Pre-Filter W/Screen |
| TA-30 | Electrostatic HEPA Filter |



TA exploded view and BOM 6 R2.cdr 02/22/21 AJ
CE & STD HEPA VERSION EXC3908