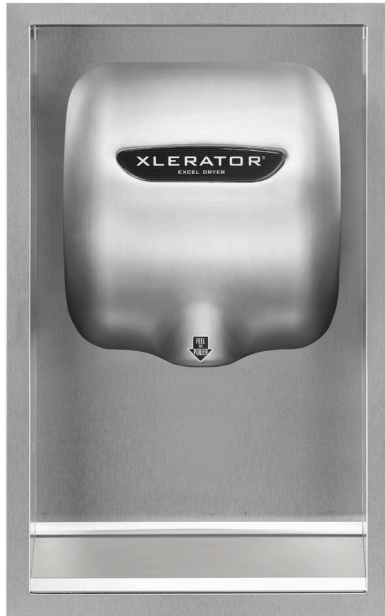


# XLERATOR® HAND DRYER

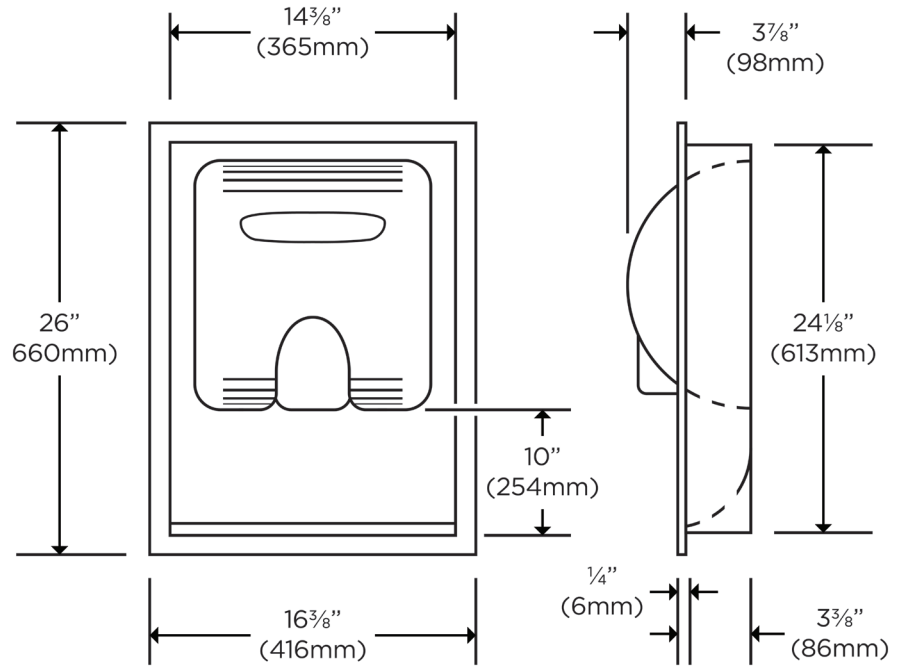
## ADA RECESS KIT



\*\*\* MEETS ADA PROTRUSION REQUIREMENT OF 4 INCHES (102 MM) \*\*\*



**40502/40505**  
Recess Kit,  
Brushed Stainless Steel



### WEIGHT

11 lbs. (4.99 KG)

### OVERALL DIMENSIONS

16 3/8" wide x 26" high x 3 3/8" deep  
(416 mm wide x 660 mm high x 86 mm deep)

### ROUGH WALL OPENING

14 1/2" wide x 24 3/8" high x 4" deep  
(368 mm wide x 619 mm high x 102 mm deep)

### CONSTRUCTION

XChanger is fabricated of 18 gauge 18-8 type 304 stainless steel with #4 satin finish. All welded construction.

### INSTALLATION GUIDE (CONSULT LOCAL ADA CODES)

When installed, bottom of hand dryer will be 10" (254 mm) above bottom of rough wall opening. Therefore, bottom of rough wall opening should be 10" (254 mm) below suggested mounting height for hand dryer. (See suggested mounting heights). All welded construction.

### SUGGESTED MOUNTING HEIGHTS (FROM FLOOR TO BOTTOM OF DRYER)

<b>Men's</b>	45" (114 cm)	<b>Children</b>	35" (89 cm)
<b>Ladie's</b>	43" (109 cm)	<b>Accessible</b>	37" (94 cm)
<b>Teenager's</b>	41" (104 cm)		



Part ID	Description
<b>40502/40505</b>	Recess Kit, Brushed Stainless Steel (for ADA 4" protrusion requirements)

<b>40502SP/40505SP</b>	Recess Kit, Custom Color Painted (for ADA 4" protrusion requirements)
------------------------	-----------------------------------------------------------------------

Part ID	Description	UPC #
<b>40502R/40505R</b>	Red Baron	70025113198
<b>40502B/40505B</b>	Raven Black	70025112951
<b>40502SP/40505SP</b>	Special Paint	70025113199
<b>40502GR/40505GR</b>	Graphite	70025113439
<b>40502W/40505W</b>	White	70025112952



# TIME TO THROW IN THE TOWEL®

EXCEL DRYER INC • 1.800.255.9235 • EXCELDRYER.COM

MAY  
2026

XLS26138.249.1